

ENERVEX® BD BYPASS DAMPER

020.2190.0619 06.19

Product Information

Use

The BD Bypass Damper is used in exhaust systems to control the flow of hot flue gases/process air to heat recovery devices or other applications where modulating bypass is needed.

Description

The Bypass Damper is used primarily for larger boiler systems, industrial processing plants, or commercial systems.

The insulated Tee-shaped damper has an internal damper blade arrangement that can block either of the two outlets. An integrated electric actuator modulates the damper.

Power supply and damper positioning signal comes from an external control panel, and is not a part of the Bypass Damper.

The Bypass Damper has a safety capacitor driven return providing field adjustable emergency setting of 0-100% bypass.

The Bypass Damper is not and cannot be used as a draining point in an exhaust system.

The BD is insulated and designed for indoor installation. Installation outdoors requires optional protection.

Flue gas / process air must be of a quality (particle free) that will not, over time, cause the damper to be filled with residue that can affect the function of the damper.

The damper is rated for temperatures up to 1100°F (600°C).

Material

All parts in contact with flue gas are made from stainless steel 316. All exterior parts are made from stainless steel 304. It's of double-wall construction with 1-1/2" (40mm) insulation.

Standard Equipment

- 24VAC actuator

Warranty

2-Year Factory Warranty. Complete warranty conditions are available from ENERVEX Inc.



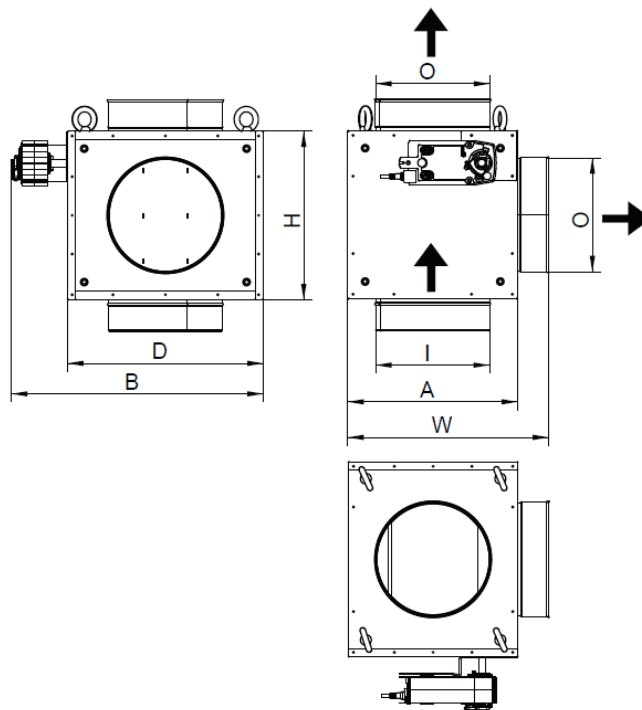
ENERVEX® BD BYPASS DAMPER

020.2190.0619 06.19

Product Information

Specifications

Model		BD 250	BD 350	BD 400	BD 500
Temperature Rating		1100°F (600°C)			
Actuator Model		NFA	GK24A-1	GK24A-1	GK24A-1
Nominal Voltage		24-240V AC	24V AC/DC	24V AC/DC	24V AC/DC
Max Power Consumption		6W	11W	11W	11W
Standby Power Consumption		2.5W	3W	3W	3W
Max Torque		10 Nm	40 Nm	40 Nm	40 Nm
Inlet OD (male)	in (mm)	9.86 (250.5)	13.80 (350.5)	15.77 (400.5)	19.70 (500.5)
Outlet ID (female)	in (mm)	9.89 (251.2)	13.83 (351.2)	15.80 (401.2)	19.73 (501.2)
Dimensions	A	in (mm)	14.74 (374.2)	27.53 (699.2)	27.53 (699.2)
	B	in (mm)	22.06 (560.2)	32.26 (819.4)	32.26 (819.4)
	D	in (mm)	16.92 (429.7)	26.98 (685.4)	26.98 (685.4)
	H	in (mm)	14.62 (371.4)	27.42 (696.4)	27.42 (696.4)
	I	in (mm)	9.86 (250.5)	13.80 (350.5)	15.77 (400.5)
	O	in (mm)	9.89 (251.2)	13.83 (351.2)	15.80 (401.2)
	W	in (mm)	17.41 (442.3)	30.21 (767.3)	30.21 (767.3)
Weight	lbs (kg)	66 (30)	159 (72)	154 (70)	150 (68)



Specifications are subject to change without notice.

ENERVEX Inc.
1685 Bluegrass Lakes Parkway
Alpharetta, GA 30004
USA

P: 770.587.3238
F: 770.587.4731
T: 800.255.2923
info@enervex.com
www.enervex.com

ENERVEX®
VENTING DESIGN SOLUTIONS