

# ENERVEX®

## GSV 009-016 PIZZA OVEN FAN

3922001 11.21

Product Information

### Use

The GSV is part of a mechanical draft fan for use as part of a restaurant kitchen pizza oven exhaust system or grease application.

### Description

Ensures a negative pressure in the entire duct or vent system. Discharges vertically (horizontally, if side-wall mounted) at a high velocity.

The fan housing is hinged and the top can be opened for easy service and access to stack. The construction of the exhaust fan's axial vanes creates a self-cleaning effect. The fans are designed to withstand the high temperatures associated with stone hearth cooking, and creosote production that results from solid fuel burning. The GSV model is approved for temperatures up to 575°F (300°C).

Exhaust fan for installation at the duct or vent termination point, vertical or side-wall mounted.

### Material

Housing is made of cast aluminum with a thickness of 3/16" and is corrosion resistant. One coat of grey hammerpaint finish is applied.

Axial vanes are stainless steel, dynamically and statically balanced to assure low noise level and vibration-free operation.

### Motor

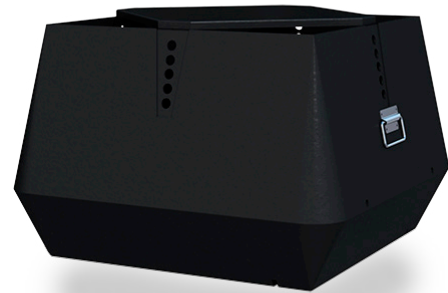
GSV 009-016: Single phase, split capacitor, totally enclosed, Class F insulated, IP54 Protection Class. Sealed ball bearings. Variable Speed. Thermal overload protection.

### Standard Equipment

- 2"x 4" or 4"x 4" junction box with cover and conduit
- Bird Screen

### Optional Equipment

- 5 Amp or 8 Amp Fan Speed Control
- Neoprene Gasket
- Roof Curb



### Listings

The GSV 009-016 Grease Fan is ETL Listed in the U.S. and Canada under file no. 514733:

- UL 705 Standard for Power Ventilators
- UL 705 Standard Supplement SC (formerly UL 762) for Power Roof Ventilators for Restaurant Exhaust Appliances
- ULC-S645-93 Standard for Power Roof Ventilators for Commercial and Institutional Kitchen Exhaust Systems

### Approvals

- CE Compliant
- The Commonwealth of Massachusetts
- The city of Los Angeles, CA (RR 8474)
- OSHPD Preapproval Of Manufacturer's Certification (OPM) No. OSP-0343-10
- Manufactured at ISO9001 certified plant

### Warranty

- 2-Year Factory Warranty on the entire fan
- 10-Year Warranty Against Corrosion Perforation

Complete warranty conditions are available from ENERVEX Inc.



**Intertek**

ETL File 514733

Specifications are subject to change without notice.

ENERVEX Inc.  
1685 Bluegrass Lakes Parkway  
Alpharetta, GA 30004  
USA

P: 770.587.3238  
F: 770.587.4731  
T: 800.255.2923  
info@enervex.com  
www.enervex.com

**ENERVEX®**  
VENTING DESIGN SOLUTIONS

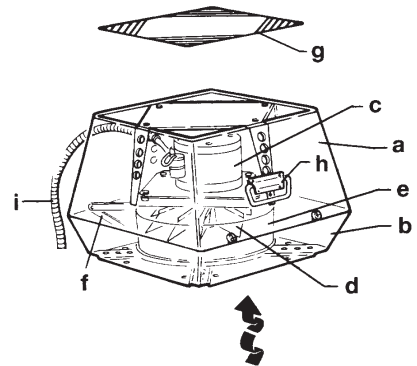
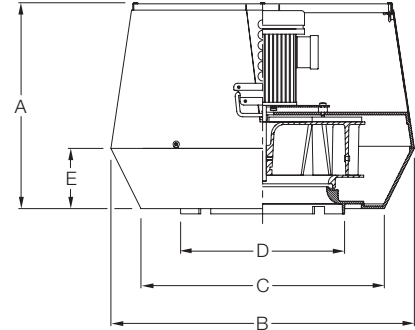
# ENERVEX® GSV 009-016 PIZZA OVEN FAN

3922001 11.21

Product Information

## Specifications

Model		GSV 009	GSV 012	GSV 014	GSV 016	
Discharge		Vertical				
Fan Type		Axial Vane				
Max. Discharge Velocity	FPM	2351	2592	2593	2169	
Actual Discharge Velocity	FPM	5.9xCFM	2.9xCFM	1.9xCFM	1.2xCFM	
Voltage	V AC	1x120				
RPM		1600				
Amps	A	0.5	1.4	2.9	5.8	
CFM	@0.0 Ps	375	875	1550	1740	
Motor Output	kW / HP	0.025 / 0.03	0.13 / 0.10	0.21 / 0.16	0.47 / 0.35	
Weight	lbs / kg	28 / 12	46 / 18	60 / 26	86 / 35	
Dimensions	A	in / mm	9.85 / 250	11.03 / 280	13.20 / 335	14.97 / 380
	B x B	in / mm	12.21 / 310	15.37 / 390	19.11 / 485	22.85 / 580
	C x C	in / mm	9.46 / 240	12.22 / 310	15.17 / 385	18.32 / 465
	D	in / mm	8.63 / 219	10.72 / 272	13.04 / 331	14.26 / 362
	E	in / mm	2.76 / 70	3.15 / 80	3.94 / 100	4.53 / 115
Soft Start Required		No	No	No	No	
Variable Speed Motor		Yes	Yes	Yes	Yes	
Temperature Rating		575°F/300°C				

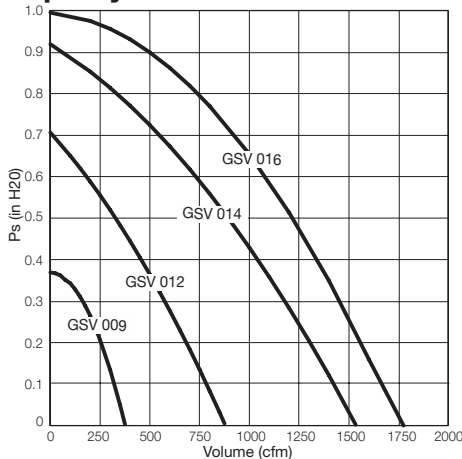


## Sound Diagram

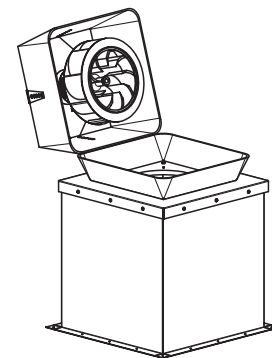
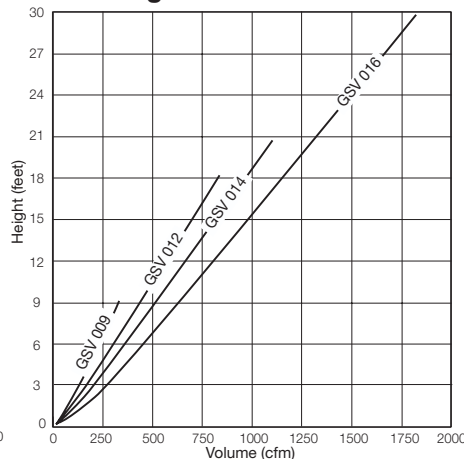
Model	Lw dB (measured in accordance with ISO 3744)							Lp dB(A)
	125Hz	250Hz	500Hz	1000Hz	2000Hz	4000Hz	8000Hz	
GSV 009	57	55	54	49	40	35	26	26
GSV 012	64	62	61	55	51	46	40	33
GSV 014	71	70	68	61	56	44	44	40
GSV 016	76	76	70	65	60	49	49	44

- a Top Section
- b Bottom Section
- c Motor
- d Axial Vane
- e Inlet for Impeller
- f Locking Hinge
- g Wiring Conduit
- h Handle

## Capacity



## Plume Height



Hinged housing