

ENERVEX[®]

ADF AUTOMATIC DAMPER

3932008 04.18

Product Information

Use

The ADF Automatic Damper is a single blade, two position damper powered by an actuator. It is used to balance draft in a boiler connector and to reduce boiler stand-by losses. It is for installation with gas-fired or oil-fired equipment only.

Description

The ADF Automatic Damper is powered by a 120VAC or 24VAC/VDC actuator. The actuator is equipped with a fail safe system to open the damper in the event of an electrical or mechanical failure. It has an adjustable NO/NC endswitch to provide damper position open/closed.

The ADF is available in standard stack diameters ranging from 4" to 36". The actuator interlocks with a gas or oil fired heating appliance to open the damper when the appliance is in use, and closes it when the appliance is not in use.

The ADF damper is manufactured to connect to chimneys with a standard 1/2" flanged connection. The ADF is rated for temperatures up to 1400°F (760°C).

The ADF should be installed with sufficient clearance above the boiler outlet to allow for damper protrusion into the stack when fully open.

Material

The frame is made of 20 GA 316L stainless steel. The blade is made of 18 GA 316L stainless steel.

Standard Equipment

- V-bands

Optional Equipment

- Weather proof enclosure for actuator

Listings

The ADF Automatic Damper assembly (damper with actuator) is UL listed in the US and certified for Canada under Underwriters Laboratories Inc. file no. E467733:

- UL 378 Standard for Draft Equipment
- UL 17 Standard for Vent or Chimney Connector Dampers for Oil-Fired Appliances
- ULC/ORD-C378 (1975) Draft Equipment
- ANSI Z21.66-1996 Automatic Vent Damper Devices For Use With Gas-fired Appliances



ENERVEX Inc.
1685 Bluegrass Lakes Parkway
Alpharetta, GA 30004
USA

P: 770.587.3238
F: 770.587.4731
T: 800.255.2923
info@enervex.com
www.enervex.com



Warranty

2-Year Factory Warranty. Complete warranty conditions are available from ENERVEX Inc.

ENERVEX[®] 
VENTING DESIGN SOLUTIONS

ENERVEX[®] ADF AUTOMATIC DAMPER

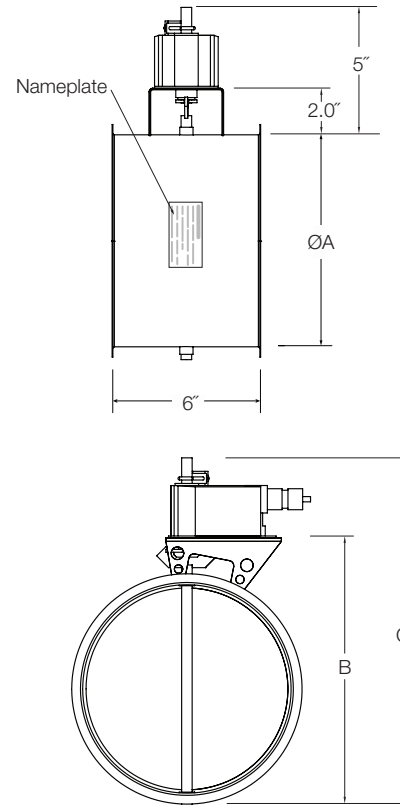
3932008 04.18

Product Information

Specifications

Model	Stack ID in / mm	Dim. A in / mm	Dim. B in / mm	Dim. C in / mm
ADF 4	4	3.94 / 100	4.88 / 124	8.86 / 225
ADF 6	6	5.91 / 150	6.85 / 174	10.83 / 275
ADF 8	8	7.87 / 200	8.82 / 224	12.80 / 325
ADF 10	10	9.84 / 250	10.79 / 274	14.76 / 375
ADF 12	12	11.81 / 300	12.76 / 324	16.73 / 425
ADF 14	14	13.78 / 350	14.72 / 374	18.70 / 475
ADF 16	16	15.75 / 400	16.69 / 424	20.67 / 525
ADF 18	18	18.00 / 457	19.00 / 483	23.00 / 584
ADF 20	20	20.00 / 508	21.00 / 533	25.00 / 635
ADF 22	22	22.00 / 559	23.00 / 584	27.00 / 686
ADF 24	24	24.00 / 610	25.00 / 635	29.00 / 737
ADF 26	26	26.00 / 660	27.00 / 686	31.00 / 787
ADF 28	28	28.00 / 711	29.00 / 737	33.00 / 838
ADF 30	30	30.00 / 762	31.00 / 787	35.00 / 889
ADF 32	32	32.00 / 813	33.00 / 838	37.00 / 940
ADF 34	34	34.00 / 864	35.00 / 889	39.00 / 991
ADF 36	36	36.00 / 914	37.00 / 940	41.00 / 1041

Other sizes available upon request.



Specifications are subject to change without notice.

ENERVEX Inc.
1685 Bluegrass Lakes Parkway
Alpharetta, GA 30004
USA

P: 770.587.3238
F: 770.587.4731
T: 800.255.2923
info@enervex.com
www.enervex.com

ENERVEX[®]
VENTING DESIGN SOLUTIONS