

ENERVEX®

BPV 200-700 BOX POWER VENTER

020.1110.0619 01.21

Product Information

Use

The BPV Box Power Venter is an in-line power venter. It is specifically designed for applications where reliable and efficient operation, low noise level, low energy consumption, variable speed and compact design are of utmost importance. Typical applications are: mechanical venting of gas-fired or oil-fired boilers and water heaters as well as baking ovens and other process equipment. For indoor or outdoor installation.

Description

The BPV BOX Power Venter is an efficient, high-temperature ventilator with backward-inclined impeller. It can be installed horizontally or vertically in a chimney system.

The double-wall fan housing is made of stainless steel with 2" (50mm) insulation and equipped with an energy-efficient, totally enclosed, variable speed motor, which is mounted outside the air stream. The 1/2" flange stack connections fit most commercial pre-fabricated chimney systems. The fan is typically installed where a horizontal breeching turns up 90° into a vertical chimney. It is hung from ceiling mounting brackets to support the weight.

The BPV is for use with condensing and non-condensing appliances operating where flue gas temperatures do not exceed 1400°F (760°C).

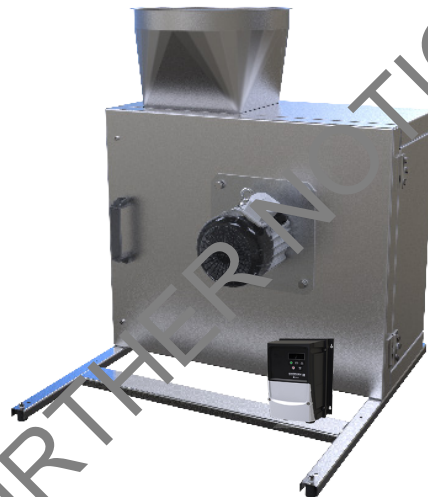
Material

The ventilator housing, impeller and other metal parts are made in 316L stainless steel. The impeller is statically and dynamically balanced with permanently attached balancing weights.

Motor

The motor is a TEFC air cooled, maintenance-free variable speed permanent magnet motor with pre-lubricated and sealed ball bearings and Class H temperature rating. The motor with controller is rated at 92% efficiency and able to operate as low as 50 RPM. It has integrated protection against overloading, blocking over and under voltage and over-heating. The motor shaft is internally insulated to eliminate the need for external shaft grounding. It is rated for outdoor installation.

The included EDrive E3 motor control is factory programmed by ENERVEX for optimal operation of the ventilator. It has a NEMA4X rating for indoor and outdoor installation.



Standard Equipment

- Support legs with vibration dampers
- 1" x 4" Junction box with cover and conduit
- eDrive E3 Motor Controller (NEMA4X)

Optional Accessories

- EBC 24 Modulating Exhaust Control
- EBC 31 Modulating Pressure Controller

Listings

UL Listing (pending) under Category MCQX is File No. E467733 and referenced to the following standards:

- UL 378 Standard For Draft Equipment Edition 4 - Revision Date 2013/09/17
- ULC/ORD-C378-75 Guide For The Investigation Of Draft Equipment
- ULC/ORD 2162 Commercial Wood-Fired Baking Ovens – Refractory Type Edition 1 - Issue Date 2013/06/01
- UL705, Standard for Power Ventilators with special consideration for venting lint-laden air from single or multiple dryers and CSA 22.2 No. 113, Standard for Fans and Ventilators.
- CSA C22.2 NO. 113-12 Fans and Ventilators Edition 9 - Revision Date 2012/10/01

Warranty

2-Year Factory Warranty. Complete warranty conditions are available from ENERVEX Inc.



ENERVEX Inc.
1685 Bluegrass Lakes Parkway
Alpharetta, GA 30004
USA

P: 770.587.3238
F: 770.587.4731
T: 800.255.2923
info@enervex.com
www.enervex.com

ENERVEX®
VENTING DESIGN SOLUTIONS

ENERVEX® BPV 200-700 POWER VENTER

020.1110.0619 01.21

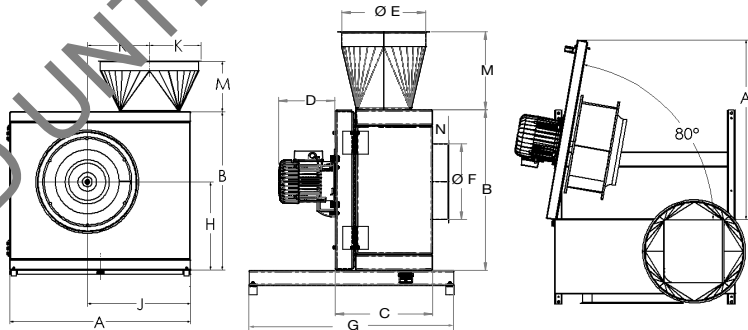
Product Information

Specifications

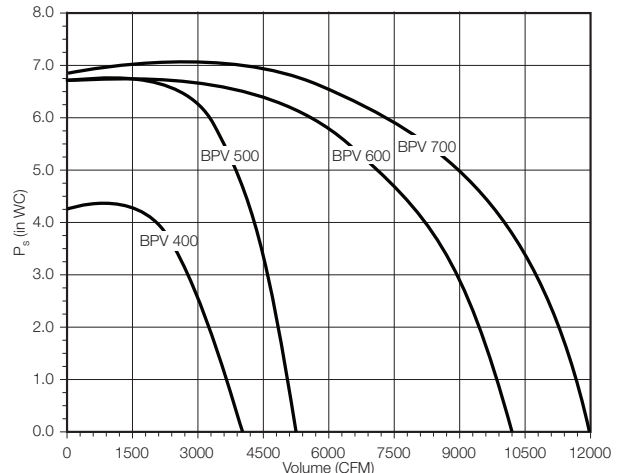
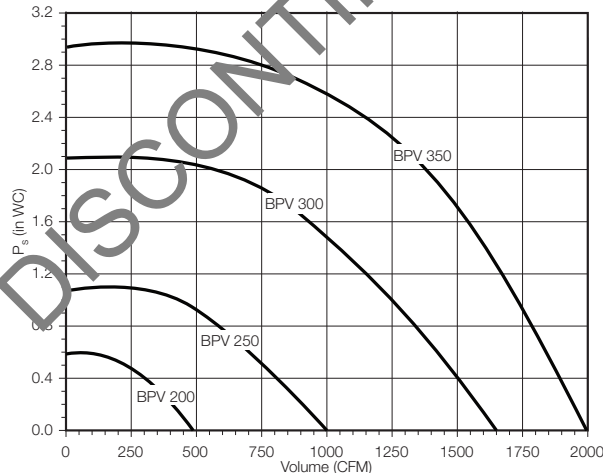
NOTE: All published voltages relate to power supplied to the EDrive and NOT the motor.

Model		BPV 200	BPV 250	BPV 300	BPV 350	BPV 400	BPV 500	BPV 600	BPV 700
Fan Type		Centrifugal Impeller (B-Wheel)							
Motor Type		ECM, Permanent Magnet							
Voltage to EDrive	VAC	1x120			3x208-240 / 3x400-480				3x400-480
Max. Amperage - EDrive	A	2.3	2.3	7.0 / 4.1	7.0 / 4.1	10.5 / 5.8	10.5 / 5.8	18.0 / 9.5	18.0
Motor Output	HP	0.5	0.5	2	2	3	3	5	10
	kW	0.38	0.38	1.5	1.5	2.2	2.6	3.7	7.5
RPM (Max)		1740	1740	2300	2300	2300	1740	1400	1450
Weight (estimated)	lbs / kg	127 / 57	143 / 65	166 / 76	195 / 88	217 / 99	295 / 134	403 / 183	416 / 189
Nominal Duct Size	in / mm	8 / 200	10 / 250	12 / 300	16 / 400	16 / 400	20 / 500	24 / 600	28 / 700
Dimensions	A in / mm	20.0 / 502	24.0 / 610	27.2 / 690	30.3 / 770	30.3 / 770	36.3 / 921	38.5 / 978	41.0 / 1041
	B in / mm	17.0 / 432	21.0 / 537	23.6 / 600	25.8 / 655	25.8 / 655	27.6 / 703	34.0 / 864	36.5 / 927
	C in / mm	9.5 / 241	11.4 / 290	13.5 / 343	14.1 / 358	15.1 / 384	17.2 / 437	20.1 / 513	22.8 / 579
	D in / mm	3.5 / 89	3.5 / 89	4.0 / 102	4.0 / 102	4.0 / 102	4.0 / 102	4.0 / 102	4.0 / 102
	E in / mm	7.9 / 201	9.8 / 250	11.8 / 300	15.8 / 400	15.8 / 400	19.7 / 500	23.6 / 600	27.6 / 700
	F in / mm	7.9 / 201	9.8 / 250	11.8 / 300	15.8 / 400	15.8 / 400	19.7 / 500	23.6 / 600	27.6 / 700
	G in / mm	18.5 / 470	24.0 / 610	24.0 / 610	32.3 / 820	32.3 / 820	38.8 / 985	38.8 / 985	42.0 / 1067
	H in / mm	9.8 / 248	11.6 / 295	13.8 / 350	14.8 / 375	16.0 / 382	17.6 / 448	18.8 / 470	20.5 / 521
	J in / mm	11.9 / 302	13.6 / 345	14.7 / 373	17.7 / 449	17.7 / 450	20.7 / 527	23.0 / 585	26.0 / 661
	M in / mm	7.9 / 201	10.2 / 258	10.2 / 258	10.2 / 258	10.2 / 258	10.2 / 258	10.2 / 258	10.2 / 258
N in / mm	2.0 / 51	2.0 / 51	2.0 / 51	2.0 / 51	2.0 / 51	2.0 / 51	2.0 / 51	2.0 / 51	

NOTE: Our ECM motor is a synchronous motor that is UL-listed to operate at speeds up to 4000RPM. The capacity charts are based on a standard setup operating at the RPM shown in the specification table. RPM can be increased to provide higher performance than shown here. Please contact ENERVEX for assistance



Capacity



ENERVEX Inc.
1685 Bluegrass Lakes Parkway
Alpharetta, GA 30004
USA

P: 770.587.3238
F: 770.587.4731
T: 800.255.2923
info@enervex.com
www.enervex.com

ENERVEX®
VENTING DESIGN SOLUTIONS