

ENERVEX® XTP DIFFERENTIAL PRESSURE SENSOR

3910504 01.17

Product Information

Use

The XTP Differential Pressure Sensor is an external pressure transducer that monitors pressure and sends a signal to the corresponding fan control.

Description

The transducer converts measured pressure into a corresponding voltage, which is then relayed to the control to modulate the damper position and/or fan speed — thus regulating pressure at the set-point.

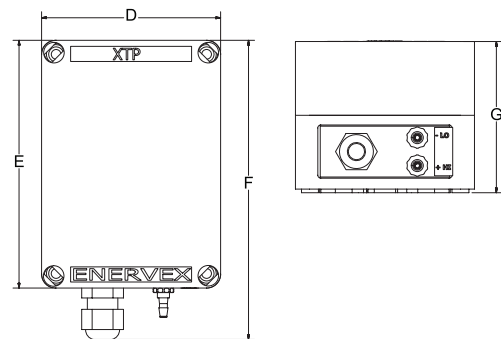
The transmitter uses a patented Si-Glas™ variable capacitance sensor. This MEMS sensor provides extraordinary sensitivity and long term stability. New digital compensation is accomplished using a highly reliable application specific integrated circuit (ASIC).

Warranty

2-Year Factory Warranty. Complete warranty conditions are available from ENERVEX Inc.

Specifications

Power Supply	VDC	12-36	
Amperage	mA	<20	
Output	VDC	0-10	
Operating Temperature	°F/°C	0 to 160 / -18 to 71	
Range of Operation	inWC/Pa	0-0.6/0-150	
Accuracy	inWC/Pa	+/-0.08%	
Dimensions	D	in/mm	3.70/94
	E	in/mm	5.12/130
	F	in/mm	6.18/157
Weight	lbs/kg	.6/.3	



Specifications are subject to change without notice.

ENERVEX Inc.
1685 Bluegrass Lakes Parkway
Alpharetta, GA 30004
USA

P: 770.587.3238
F: 770.587.4731
T: 800.255.2923
info@enervex.com
www.enervex.com

ENERVEX®
VENTING DESIGN SOLUTIONS

