

ENERVEX®

IPVB-EC INLINE POWER VENTER

3902017 07.18

Product Information

Use

The IPVB-EC Inline Power Venter is specifically designed for applications where reliable and efficient operation, low noise level, low energy consumption, variable speed and compact design are of utmost importance.

Typical applications are: mechanical venting of gas-fired or oil-fired boilers and water heaters. For indoor or outdoor installation.

Description

The IPVB-EC Power Venter is an efficient, high-temperature ventilator with backward-inclined impeller. It can be installed horizontally or vertically in a chimney system.

The fan housing is made of stainless steel and equipped with an energy-efficient, totally enclosed, variable speed motor, which is mounted outside the air stream.

The complete drive unit (motor, impeller and mounting plates) can be removed from the fan without the need for removing the housing from the stack system.

The IPVB-EC is for use with condensing and non-condensing appliances operating where flue gas temperatures do not exceed 575°F (300°C).

The IPV-EC is a component in the CASI, Chimney Automation System.

Material

The enclosure is made of 316L stainless steel. The impeller is of the backward inclined type made of cast aluminum. The design is a Type B, Spark Resistant Construction.

Motor

The IPVB-EC is equipped with an air cooled, maintenance-free variable speed permanent-magnet motor with pre-lubricated and sealed ball bearings. The motor and controller is rated at 92% efficiency and able to operate as low as 50 RPM. The motor has integrated protection against overloading, blocking over and under voltage and over-heating.

The standard eDrive motor control is factory programmed for optimal operation of the power venter.

Standard Equipment

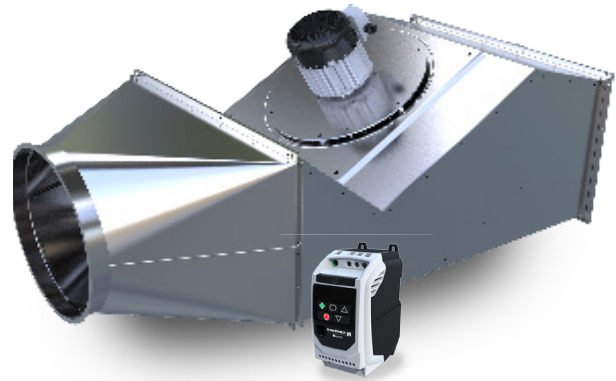
- eDrive Motor Controller
- Drain Kit
- V-Bands



Intertek
ETL File 514733

ENERVEX Inc.
1685 Bluegrass Lakes Parkway
Alpharetta, GA 30004
USA

P: 770.587.3238
F: 770.587.4731
T: 800.255.2923
info@enervex.com
www.enervex.com



Optional Equipment

- EBC 30/31 Modulating Pressure Controller
- EBC 35 Modulating Pressure Controller
- EBC 24 Modulating Pressure Controller
- BDC 8 Modulating Pressure Controller

Listings

The IPVB-EC Power Venter is ETL Listed in the U.S. and Canada under file no. 514733. ETL Listed to:

- UL 378 Standard for Draft Equipment
- CSA B255 Standard for Mechanical Flue Gas Exhausters

Approvals

- CE Compliant
- The Commonwealth of Massachusetts
- The city of Los Angeles, CA (RR 8474)

OSHPD Preapproval Of Manufacturer's Certification (OPM) No. OSP-0343-10.

Manufactured at ISO9001 certified plant.

Complies with and meets Type B, Spark Resistant Construction per AMCA standard 99-0401 classifications of Spark Resistant Construction.

Warranty

- 2-Year Factory Warranty
- 10-Year Warranty Against Corrosion Perforation

Complete warranty conditions are available from ENERVEX Inc.

ENERVEX®
VENTING DESIGN SOLUTIONS

ENERVEX® IPVB INLINE POWER VENTER

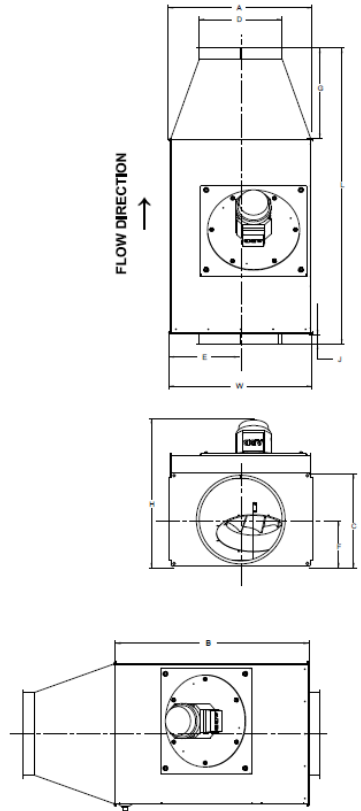
3932017 07.18

Product Information

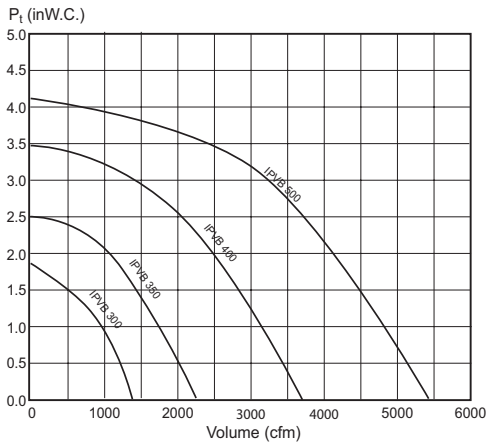
Specifications

Model		IPVB300-EC	IPVB350-EC	IPVB400-EC	IPVB500-EC
Fan Type		Centrifugal Impeller (B-Wheel)			
Motor Type		ECM, Permanent Magnet (BLDC)			
Voltage EDrive	VAC	3x230 / 3x480		3x230 / 3x480	
Max. Amperage - EDrive	A	6.3 / 3.3	6.3 / 3.3	6.6 / 3.8	9.0 / 5.2
Motor Output	HP	1.1	1.1	2.0	3.0
	kW	0.81	0.81	1.5	2.2
RPM (see note below)		1740	1740	1740	1740
Weight	lbs / kg	68 / 31	79 / 36	114 / 51.5	154 / 70
Duct Connection		12	14	16	20
Dimensions	A in / mm	19.4 / 492	22.5 / 572	26.5 / 672	29.6 / 752
	B in / mm	28.7 / 730	32.8 / 833	37.9 / 963	44.0 / 1118
	C in / mm	14.3 / 363	15.9 / 403	18.2 / 463	22.5 / 572
	D in / mm	12.0 / 306	14.0 / 356	16.0 / 406	20.0 / 508
	E in / mm	10.6 / 270	12.2 / 310	14.2 / 360	15.7 / 400
	F in / mm	7.2 / 182	8.0 / 202	9.1 / 232	11.3 / 286
	G in / mm	15.5 / 393	15.4 / 392	15.8 / 402	19.8 / 502
	H in / mm	21.8 / 553	24.8 / 630	26.5 / 674	30.2 / 766
	J in / mm	1.8 / 46	1.8 / 46	1.8 / 46	1.8 / 46
	L in / mm	46.1 / 1170	50.1 / 1272	55.6 / 1412	65.6 / 1667
W in / mm	21.2 / 539	24.4 / 619	28.3 / 719	31.5 / 799	
Temp Rating	°F / °C	575 / 300			

NOTE: Our ECM motor is a synchronous motor that is UL-listed to operate at speeds up to 4000RPM. The shown RPM and motor output data is the standard setup based on the standard control selection. RPM can be increased to provide higher performance, but a different EDrive model may be required. Please contact ENERVEX for assistance.

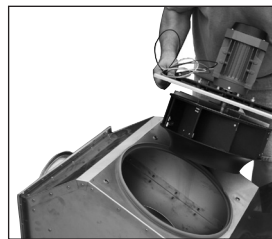


Capacity

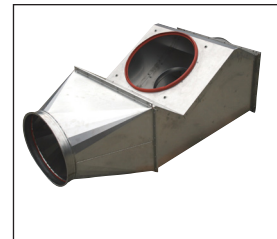


NOTE:

The capacity data above is tested in accordance with ISO Standard 5801-Industrial Fans Performance Testing Using Standardized Airways.



Removal of drive unit



Fan without drive unit

Specifications are subject to change without notice.

ENERVEX Inc.
1685 Bluegrass Lakes Parkway
Alpharetta, GA 30004
USA

P: 770.587.3238
F: 770.587.4731
T: 800.255.2923
info@enervex.com
www.enervex.com

ENERVEX®
VENTING DESIGN SOLUTIONS